

Diagram 01

Duplex 340 - 420 - 620

Parts List - Diagram 01

128	180801	WHEEL LEVER	X	X	X
136	020600	WASHER PUSHING BEARING	X	X	X
141	115100	WASHER LOCKING GEARS	X	X	X
134	112000	WASHER FOR GEAR	X	X	X
139	114400	WASHER FOR GEAR	X	X	X
129	113901	TERMINAL CONTACT	X	X	X
140	114500	TAPERED SCREW NUT/BRASS	X	X	X
119	100200	SPRING LATCH SPRING	X	X	X
120	31200	SPRING LATCH BEARINGS	X	X	X
118	111201	SOCKEL HEAD SCREW TPSCE 8 X 16	X	X	X
143	110901	SOCKEL HEAD SCREW TCCE 6 X 16	X	X	X
138	111000	SOCKEL HEAD SCREW TCCE 4x40	X	X	X
135	113400	SEEGER D.20	X	X	X
121	113200	SEEGER D.14	X	X	X
137	110100	SCREW TC 3 X 6	X	X	X
124	110400	SCREW T.T. 5 X 10	X	X	X
146	043600	RUBBER WASHER S.STEEL BEARING	X	X	X
145	043500	PLASTIC BUSH FOR S.STEEL BEARING	X	X	X
128	012002	MOUNTED SHAFT WITH WHEEL LEVER		X	
128	012102	MOUNTED SHAFT WITH WHEEL LEVER			X
128	013502	MOUNTED SHAFT WITH WHEEL LEVER	X		
101	181015	MAIN SIDE ELEMENT S/S 420-620		X	X
101	182025	MAIN SIDE ELEMENT BLACK S/S 340	X		
102	130520	KIT INSIDE SUMP BLACK	X	X	X
102	130501	INSIDE SUMP BLACK	X	X	X
112	058002	GEAR WITH no. 2 BEARINGS	X	X	X
108	OLD 050102	GEAR WITH LOW CLUTCH 054602 - NEW GEAR C/W BEARING	X	X	X
110	065002	GEAR W/B.BEARING	X	X	X
113	057002	GEAR W/B.BEARING	X	X	X
114	064002	GEAR W/B.BEARING	X	X	X
116	064202	GEAR RIGHT H.S.BRUSH (New Series)	X	X	X
104	060902	GEAR RIGHT H.S. (metal motor cylinder)	X	X	X
107	050902	GEAR LEFT H.S. (metal motor cylinder)	X	X	X
111	054202	GEAR LEFT H.BRUSH (New Series)	X	X	X
109	060102	GEAR (high clutch)	X	X	X
105	050302	GEAR	X	X	X
106	060502	GEAR	X	X	X
110	060402	GEAR	X	X	X
112	050402	GEAR	X	X	X
113	050202	GEAR	X	X	X
114	060602	GEAR	X	X	X
126	112700	FLAT WASHER	X	X	X
122	131100	DUMPER	X	X	X
Item #	Part Number	Description	340	420	620
142	113700	CYLINDRICAL PLUG 6 X 30	X	X	X
144	031950	BEARING MOTOR CYL STAINLESS STEEL	X	X	X

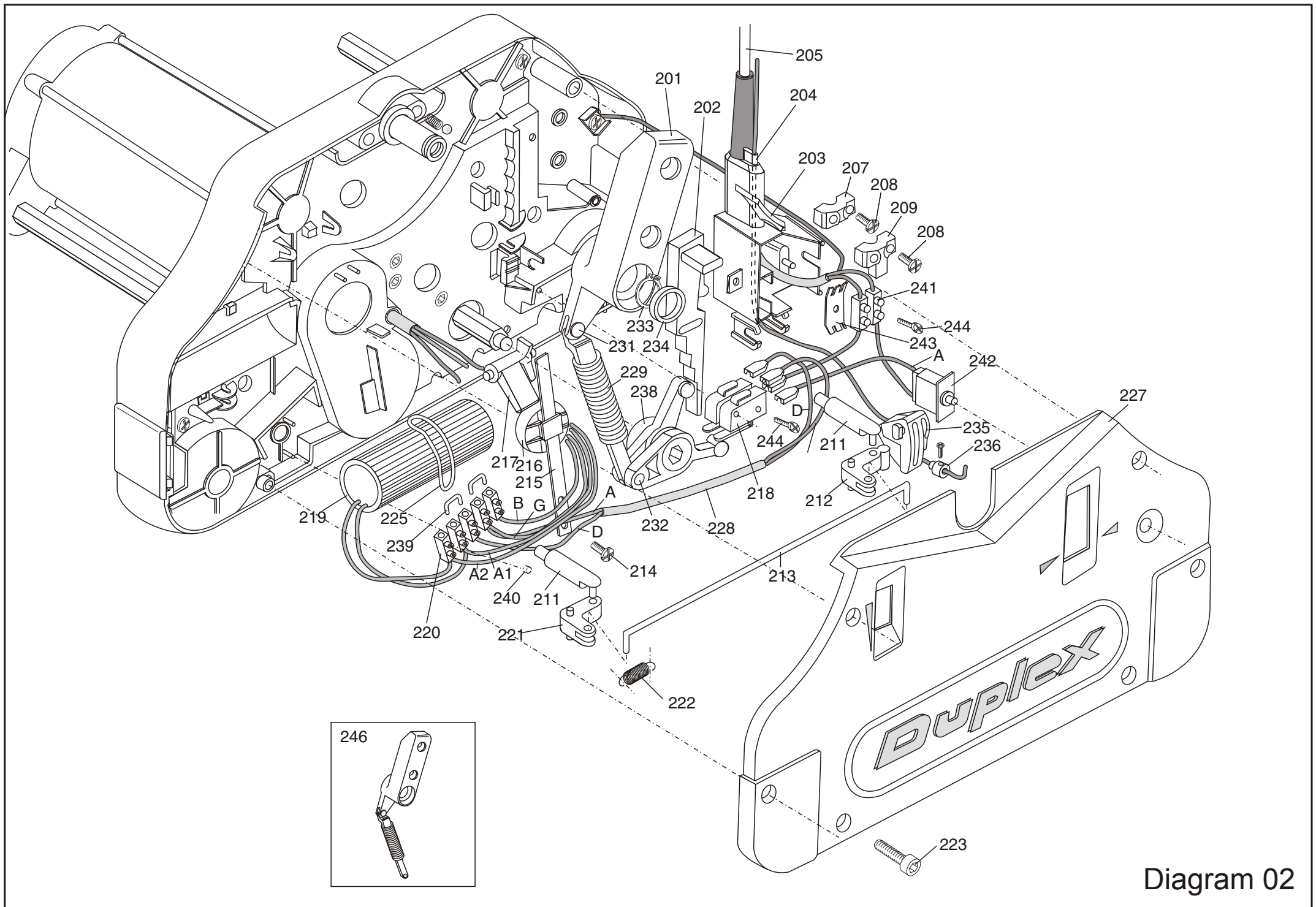


Diagram 02

Duplex 340 - 420 - 620

Parts List - Diagram 02

Item #	Part Number	Description	340	420	620
201	180310	ARTICULATED HANDLE SUPPORT BLACK	X	X	X
202	140800	ADJUSTMENT SLIDER	X	X	X
203	141900	FAIRLEAD SUPPORT	X	X	X
204	040900	FAIRLEAD	X	X	X
205	080504	CABLE AND PLUG (England)	X	X	X
205	080506	CABLE AND PLUG (U.S.A.)	X	X	X
205	080507	CABLE AND PLUG (Shuko) BLACK	X	X	X
207	142000	FAIRLEAD STAY	X	X	X
208	110300	S.THREAD.SCREW 4,2 X 16 (fairlead)	X	X	X
209	142100	CABLE STAY	X	X	X
211	OLD 140200	PISTON --- 140266777 NEW STYLE BRASS PISTON	X	X	X
212	140000	LONG LEVER	X	X	X
213	210601	BOLT FOR FLUID CONTROL LEVERS	X	X	X
214	110200	S.THREAD SCREW 4,2 X 9,5 (leaf spring)	X	X	X
215	200401	CLUTCH LEAF SPRING	X	X	X
216	140400	CLUTCH FORC	X	X	X
217	140500	CLUTCH LEVER	X	X	X
218	081300	MICROSWITCH	X	X	X
219	080100	16 mF. CONDENSER	X	X	
219	080200	25 mF. CONDENSER			X
219	080300	60 mF. CONDENSER	X	X	X
220	081900	5-PIN TERMINAL BLOCK	X	X	X
221	140100	SHORT LEVER	X	X	X
222	100400	TRACTION SPRING	X	X	X
223	110901	SOCKEL HEAD SCREW TCCE 6 X 16	X	X	X
225	040800	OR. CONDENSER	X	X	X
227	130200	OUTSIDE SUMP BLACK	X	X	X
228	080801	CONNECTION WIRES	X	X	X
229	100300	SPRING FOR THRUST CYLINDER MOUNTED	X	X	X
231	011600	SHAFT FOR SLEEVE SUPPORT	X	X	X
232	113800	KNURLED SHAFT	X	X	X
233	113300	SEEGER D.18	X	X	X
234	140610	SLEEVE SUPPORT CAP BLACK	X	X	X
235	142200	ARTICULATED JOINT LEVER	X	X	X
236	221701	CABLE FIXING PIN FOR SHEALT	X	X	X
238	140300	WHEEL RAISING ACTIVATOR	X	X	X
239	081902	TERMINAL BLOCK BRIDGE	X	X	X
240	081901	TERMINAL BLOCK CAP	X	X	X
241	082000	DOUBLE-POLE TERMINAL BLOCK	X	X	X
242	081001	MOTOR PROTECTOR 15 A.	X	X	X
242	081101	MOTOR PROTECTOR 4,5 A.	X	X	
242	081201	MOTOR PROTECTOR 12 A.			X
243	081500	CABLE CLAMP	X	X	X
244	111100	TERMINAL BLOCK SCREW	X	X	X
246	180320	HANDLE SUPPORT WITH SPRING BLACK	X	X	X

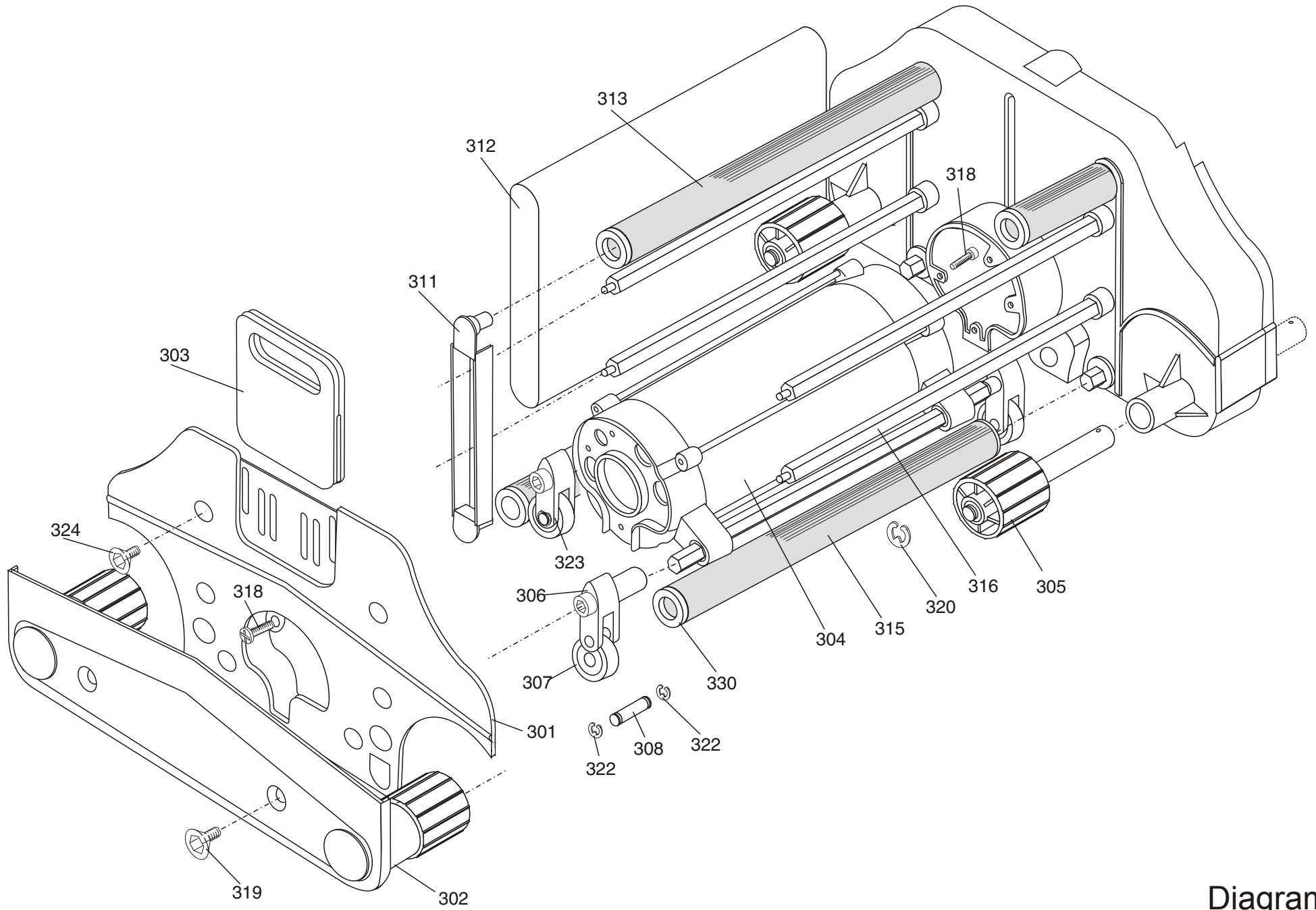
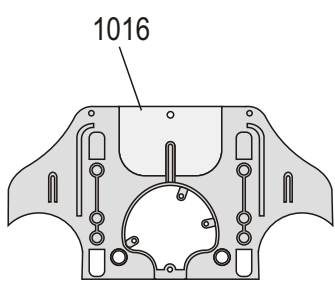
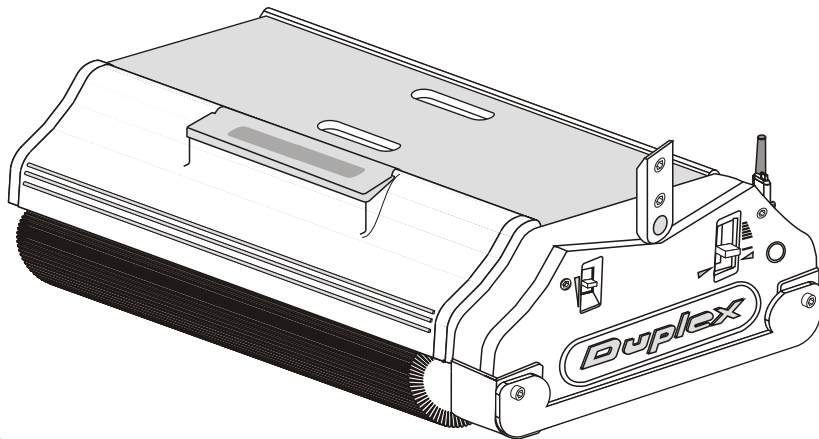
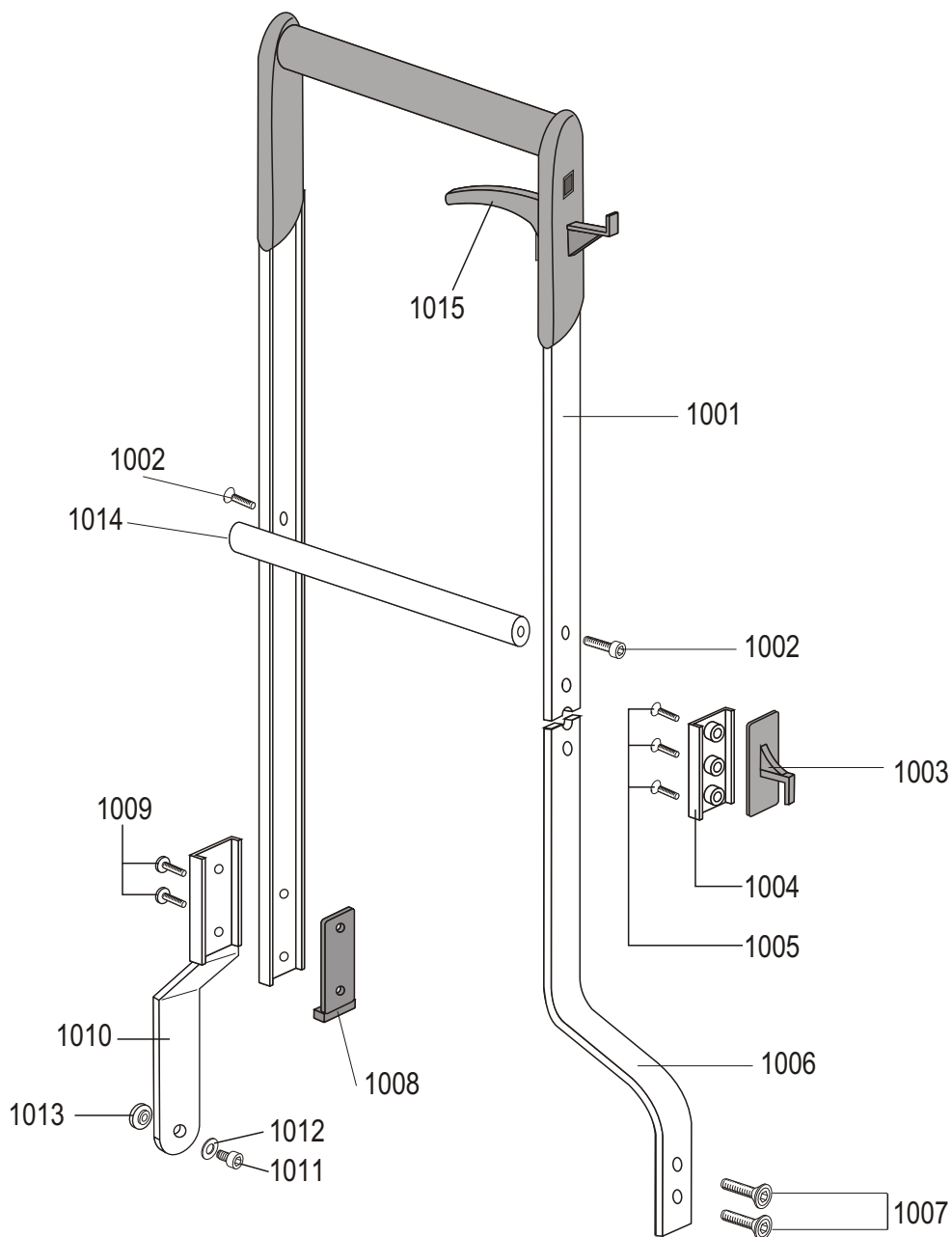


Diagram 03

Duplex 340 - 420 - 620

Parts List - Diagram 03

Item #	Part Number	Description	340	420	620
301	180210	REAR BODY FRAME BLACK	X	X	X
302	200202	STAINLESS CASING WITH BEARINGS	X	X	X
303	170810	HANDLE FOR LIFTING THE MACHINE	X	X	X
304	090303	MOTOR 220 V. 50 HZ.		X	
304	090403	MOTOR 240 V. 50 HZ.		X	
304	090503	MOTOR 117 V. 60 HZ.		X	
304	090603	MOTOR 220 V. 60 HZ.		X	
304	090703	MOTOR 100 V. 50 HZ.		X	
304	090710	MOTOR 100 V. 60 HZ.		X	
304	090903	MOTOR 220 V. 50 HZ.			X
304	091003	MOTOR 240 V. 50 HZ.			X
304	091103	MOTOR 117 V. 60 HZ.			X
304	091203	MOTOR 220V. 60Hz.			X
304	091303	MOTOR 100 V. 50 HZ.			X
304	091403	MOTOR 100 V. 60 HZ.			X
304	092003	MOTOR 220 V. 50 HZ.	X		
304	092503	MOTOR 240 V. 50 HZ.	X		
304	093003	MOTOR 117 V. 60 HZ.	X		
304	093103	MOTOR 100 V. 60 HZ.	X		
304	093503	MOTOR 100 V. 50 HZ.	X		
305	150701	BRUSHES SUPPORT MAIN SIDE ELEMENT	X	X	X
306	160501	INOX WHEEL SUPPORT	X	X	X
307	160600	NYLON WHEEL	X	X	X
308	012800	INOX WHEEL SHAFT WITH BENZING RING	X	X	X
311	180902	DIECAST CYLINDER SUPPORT	X	X	X
312	041800	CONVEYOR D.340 2,5 THICK	X		
312	042000	CONVEYOR D.420 2,5 THICK		X	
312	042100	CONVEYOR D.620 2,5 THICK			X
313	014201	METAL MOTOR CYLINDER		X	
313	014301	METAL MOTOR CYLINDER			X
313	014601	METAL MOTOR CYLINDER	X		
315	014001	METAL IDLE CYLINDER		X	
315	014101	METAL IDLE CYLINDER			X
315	014501	METAL IDLE CYLINDER	X		
316	012201	SHAFT FOR BODY FRAME CONNECTION		X	
316	012301	SHAFT FOR BODY FRAME CONNECTION			X
316	013701	SHAFT FOR BODY FRAME CONNECTION	X		
318	110901	SOCKEL HEAD SCREW TCCE 6 X 16	X	X	X
319	111501	S. HEAD SCREW 10 X 20 (stainless casing)	X	X	X
320	113500	BENZING RING D.12	X	X	X
322	110700	INOX BENZING RING D.7 (wheels)	X	X	X
323	160601	ASSEMBLED NYLON WHEEL WITH SUPPORT	X	X	X
324	111201	SOCKEL HEAD SCREW TPSCE 8 X 16	X	X	X
330	013901	ASSEMBLED BUSH FOR CYLINDERS	X	X	X



Duplex 420 - 620

DUPLEX 420 - 620		
POS.	CODE	DESCRIPTION
1001	134000000	Complete handle DP620
1001	133001000	Complete handle DP420
1002	116100000	Screw tekna 8x20
1003	130910000	CABLE WRAP, JOINING BITT-HANDLE
1004	200902000	SLEEVE CASING STEAINLESS STEEL
1005	111201000	Screw 8x16 (bitt)
1006	210502000	ELBOW DP620
1006	210501000	ELBOW DP420
1007	111301000	Screw tpsce 8x25
1008	141401000	RUBBER INSERT (elbow)
1009	116100000	Screw 8x20 tekna
1010	205810000	ELBOW STAINLESS STEEL
1011	115800000	Screw 6x10
1012	117400000	Washer d.6
1013	015800000	Stainless steel pin
1014	203611000	Aluminium handle spacer DP620
1014	203600000	Aluminium handle spacer DP420
1016	180230000	REAR BODY FRAME

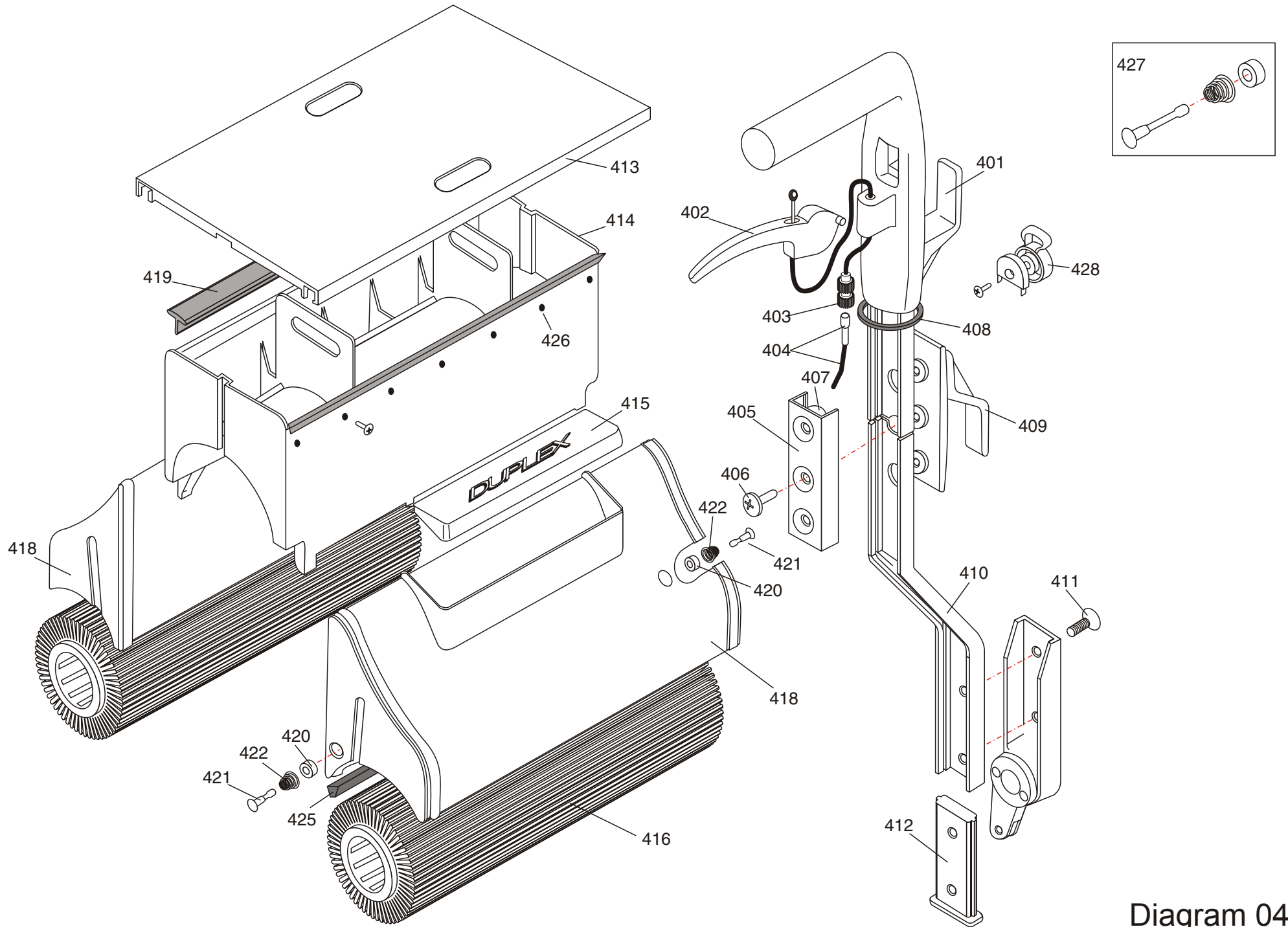


Diagram 04

Duplex 340 - 420 - 620

Parts List - Diagram 04

Item #	Part Number	Description	340	420	620
401	130610	HANDLE BLACK 420		X	
401	130710	HANDLE BLACK 620			X
402	130810	HANDLE LEVER BLACK	X	X	X
403	221600	REGULATOR WITH SHEALT NUT	X	X	X
404	221110	COMPLETE CABLE SHEALT AND CAPE	X	X	X
405	200902	SLEEVE CASING	X	X	X
406	111201	SOCKEL HEAD SCREW TPSCE 8 X 16 (bitt)	X	X	X
407	020200	CASING BUSH	X	X	X
408	040700	OR. FAIRLEAD (rubber ring)	X	X	X
409	130910	BITT BLACK	X	X	X
410	210501	ALUMINIUM ELBOW D.420		X	
410	210502	ALUMINIUM ELBOW D.620			X
410	210507	ALUMINIUM ELBOW D.340	X		
411	111301	SOCKEL HEAD SCREW TPSCE 8 X 25 (elbow)	X	X	X
412	141401	RUBBER INSERT (elbow)	X	X	X
413	170300	RECOVERY FLUID TANK COVER D.420		X	
413	170400	RECOVERY FLUID TANK COVER D.620			X
413	170900	RECOVERY FLUID TANK COVER D.340	X		
414	122201	RECOVERY TANK W/TSP SCREWS 340 GREY	X		
414	122301	RECOVERY TANK W/TSP SCREWS 420 GREY		X	
414	122401	RECOVERY TANK W/TSP SCREWS 620 GREY			X
415	170100	CLEAN FLUID TANK COVER D.340/420	X	X	
415	170200	CLEAN FLUID TANK COVER D.620			X
416	190101	BRUSH TYNEX D.420		X	
416	190102	YELLOW SOFT BRISTLE BRUSH D.420		X	
416	190103	BLACK BRISTLE BRUSH D.420		X	
416	190104	GREY SOFT BRISTLE BRUSH D.420		X	
416	190105	HORSEHAIR BRISTLE BRUSH D.420		X	
416	190108	HARD BRISTLE BRUSH D.0,50 D.420		X	
416	190110	GREY SOFT BRISTLE BRUSH D.340	X		
416	190112	BLACK BRISTLE BRUSH D.340	X		
416	190114	HORSEHAIR BRISTLE BRUSH D.340	X		
416	190116	YELLOW SOFT BRISTLE BRUSH D.340	X		
416	190118	HARD BRISTLE BRUSH D.0,50 D.340	X		
416	190131	BRUSH TYNEX D.340	X		
416	190201	BRUSH TYNEX D.620			X
416	190202	YELLOW SOFT BRISTLE BRUSH D.620			X
416	190203	BLACK BRISTLE BRUSH D.620			X
416	190204	GREY SOFT BRISTLE BRUSH D.620			X
416	190205	HORSEHAIR BRISTLE BRUSH D.620			X
416	190208	HARD BRISTLE BRUSH D.0,50 D.620			X
418	125501	FLUID TANK D.420 BLUE		X	
418	126001	FLUID TANK D.340 BLUE	X		
418	126501	FLUID TANK D.620 BLUE			X
419	040330	TRIMMER (SCREW ON TYPE) 420		X	
419	040340	TRIMMER (SCREW ON TYPE) 620			X
419	040350	TRIMMER (SCREW ON TYPE) 340	X		
420	040600	VALVE GASKET	X	X	X
421	011400	VALVE SHAFT	X	X	X

Duplex 340 - 420 - 620

Parts List - Diagram 04

422	100100	VALVE SPRING	X	X	X
425	120701	SET OF DRIP CHANNEL D.420		X	
425	120801	SET OF DRIP CHANNEL D.620			X
425	124001	SET OF DRIP CHANNEL D.340	X		
426	110800	SCREW TSP 2,9X9,5	X	X	X
427	011410	SET OF VALVE SHAFT WITH ACCESSORIES	X	X	X
428	041601	CABLE SUSPENSION	X	X	X